

INSTALLATION INSTRUCTIONS

DESCRIPTION: Soft Rear Window

PART NUMBER: B4J-K750A-V0

MODEL: 2021+ Wolverine RMax4 and X4



⚠ WARNING

Please read and understand these instructions completely before installation to avoid possible injury, or damage to the accessory or vehicle.

- This weather enclosure is not intended to prevent injury during collisions or rollovers.
- Always wear a seat belt and a helmet when riding in this vehicle.

NOTICE:

Installation of this kit requires a torque wrench and pop rivet gun. Installation should be performed by an authorized Yamaha dealer or a qualified technician. Do not tow the vehicle on an open trailer with this accessory installed, it is not designed for highway speeds.

WARRANTY INFORMATION:

In the United States, see your Yamaha dealer for a copy of the Yamaha Genuine Parts and Accessories Limited Warranty.

DEALER OR INSTALLER:

These instructions contain important information for future reference and *must* be given to the customer.

PARTS LIST:

No.	Part Number	Description	Qty
--	B4J-K750A-V0	Soft Rear Window	--
①	B4J-K7559-V0	Soft Rear Window	1
②	B4J-F162F-V0	Male Snap	2
③	90267-32198	Blind Rivet 1/8"	2
④	BG4-K8317-V0	Pull Hook Ring	2
⑤	90267-48174	Blind Rivet 3/16"	2
⑥	B4J-K7528-V0	M3 Nut	2
⑦	1XD-H1131-V0	Snap Lubricant	1

* Part supplied with kit only and not available separately.

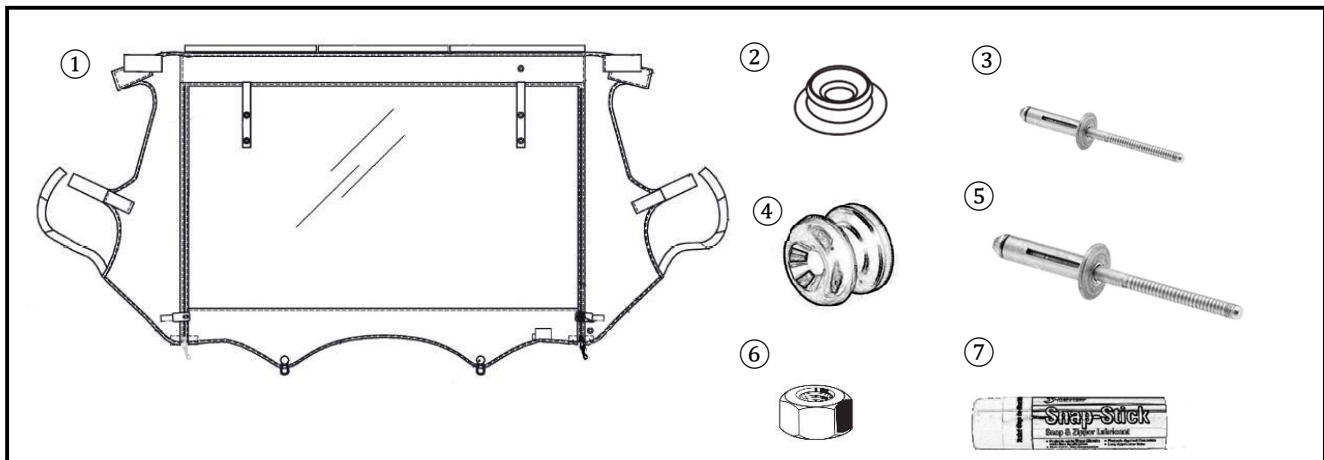


Fig. 1

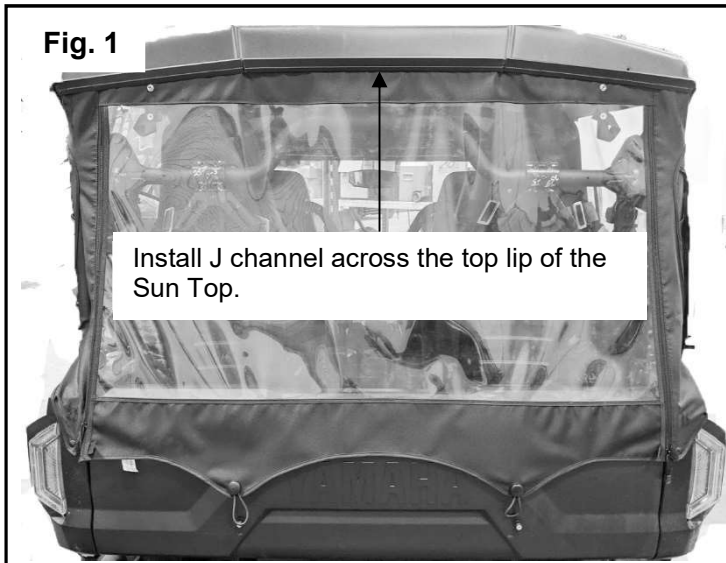
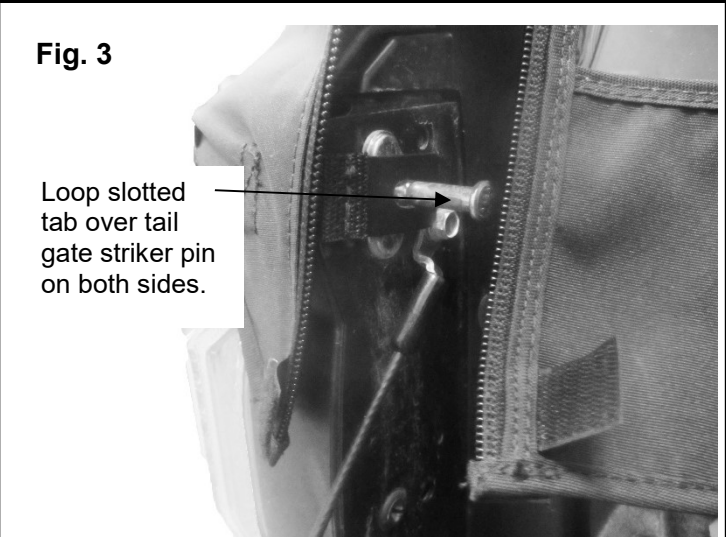


Fig. 2



Fig. 3



PREPARATION:

- Place the vehicle on a secure and level surface.
- Set the parking brake.
- Clean the mounting surfaces before beginning installation.
- If this kit is being install with the Soft Side Covers, then the Soft Side Covers must be installed first.

INSTALLATION:

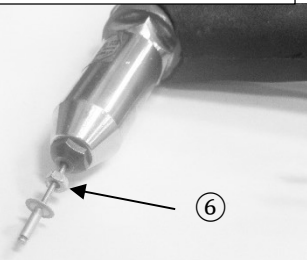
1. Install the J channel on the top of the ① Soft Rear Window to the rear edge of the Sun Top. Center the ① Soft Rear Window on the rear opening. (Fig.1)
2. Wrap the hook and loop straps around the “C” pillar ROPS. Smooth the wrinkles and pull tight. If the Soft Side Covers are installed, then the hook and loop will attach to the Soft Side Cover.
3. Route the lower strap around the rear shoulder bolster and attach the hook and loop straps. (Fig. 2)
4. Pull tight and smooth wrinkles.
5. Lower the tailgate and pull the slotted tab over the tail gate striker pin. (Fig. 3)
6. Repeat on the other side.

How to Install Snaps with Rivets

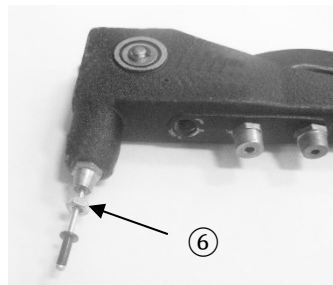
7. Let the Soft Rear Window hang. Zip all windows closed. During installation of the snaps, continue to ensure the fabric is taut and free of wrinkles before drilling and installing snaps.
8. Mark the snap locations and then drill out the holes used to mount the ② Male Snaps using a 1/8” drill bit. Use a tape mark on the drill bit to set the drill depth at 1/2”.
9. Use a pop rivet tool (not included in this kit) to install the ② Male Snaps with ④ Blind Rivets. Follow these steps to install each rivet: (Fig. 4)
 - a. Insert ③ Blind Rivet into ② Male Snap.
 - b. Place ⑥ M3 Nut on the ③ Blind Rivet.
 - c. Put ③ Blind Rivet into the body with the tool.
 - d. Pull the handle on the pop rivet tool to close the ③ Blind Rivet and complete the installation of the ② Male Snap.
10. The elastic tie downs on the bottom of the ① Soft Rear Window are secured to the closed tail gate. Pull the elastic tie down and mark the location on the tailgate. (Fig. 5)
11. Review figure 5 before drilling a 3/16” hole and attach the ④ Pull Hook Ring with one ⑤ Blind Rivet 3/16”. Do this for the other side.
12. Latch the elastic tie downs around the ④ Pull Hook Rings.

Fig. 4

Air Rivet Gun with ⑥



Manual Rivet Gun with ⑥



MAINTENANCE:

Periodically, check the straps. Re-torque or re-tighten any loose hardware. If zippers or snaps become hard to operate, apply ⑦ Snap Lubricant to lubricate the side cover zippers and snaps.

CARE AND CLEANING:

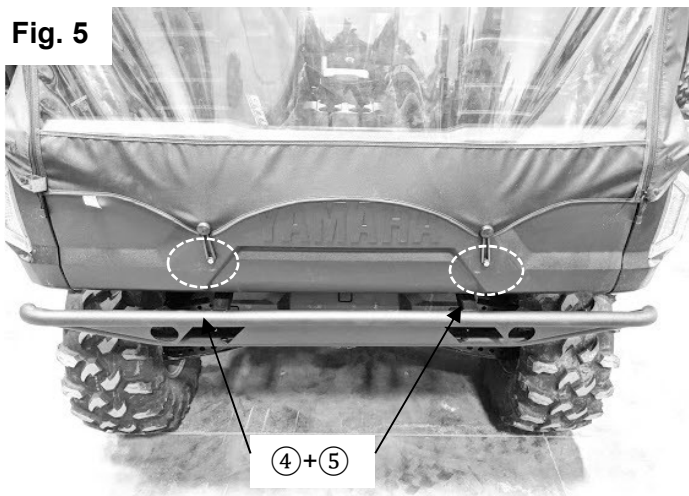
Use a clean soft cloth and mild detergent with warm water to clean the side covers. Rinse and dry. Use Yamaha Windshield & Visor Plastic Cleaner & Conditioner (p/n ACC-PLASP-OL-11) to clean the plastic windows.

CUSTOMER SERVICE:

For further information see your Yamaha dealer.

ESTIMATED TIME TO INSTALL: 0.75 HRS.

Fig. 5



Tip: If the Rear Brush Guard is installed, make sure the ④ Pull Hook Loops are installed so that they are not too low that they hit the Rear Brush Guard when the tail gate is lowered.